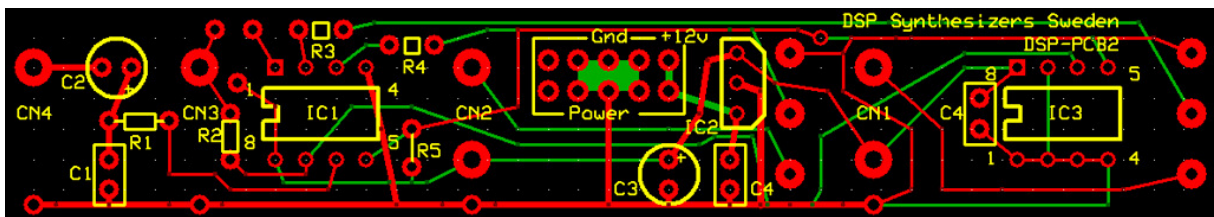
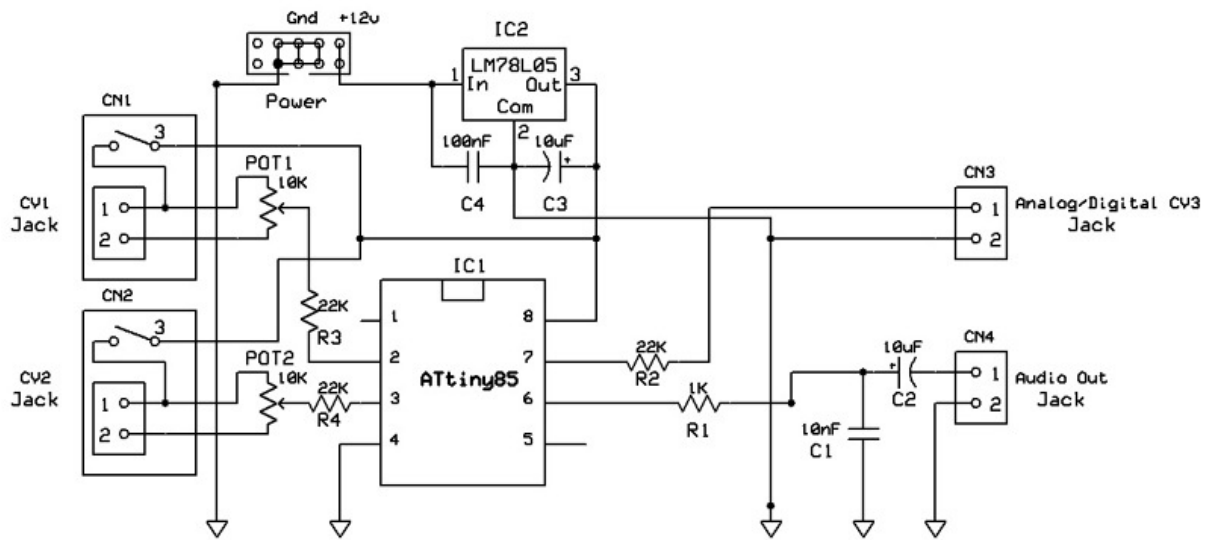


[dsp-Host PCB](#)



BOM:

IC1: Synth chip

IC2: 78L05

R1: 1Kohm

R2, R3, R4: 22Kohm

C1: 10nF

C2,C3: 10uF

C4: 100nF

POT1, POT2: 10K Lin

CN1-CN4 Thonkiconn jacks

Power: 10-pin IDC

(optional: IC3, C4 used for a 64Kb i2c wavetable ROM)

NOTE!

IC1 mounts on the panel side of the PCB, Check pin numbering!

(when used with the dsp-Host module, the IC socket will surface through the panel for easy replacement of the chip.)