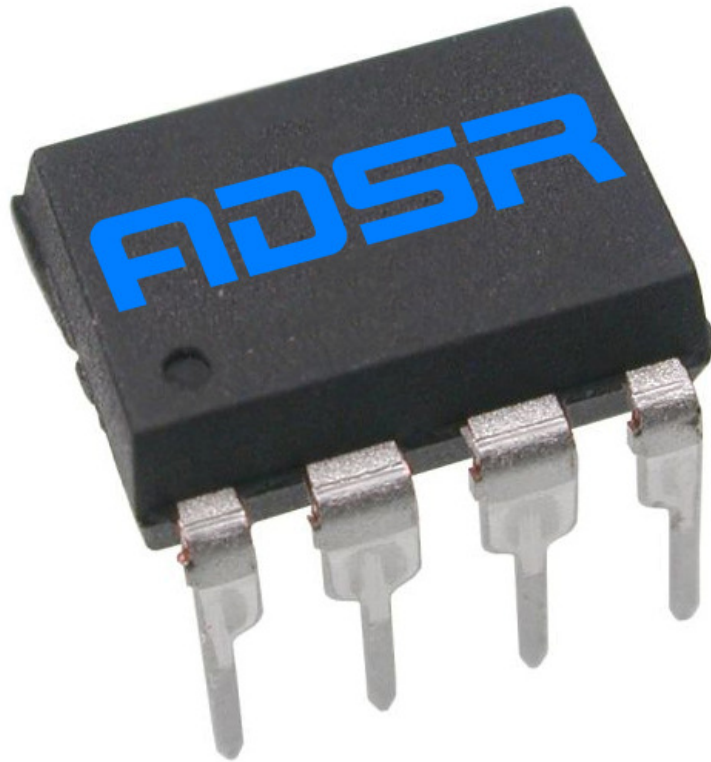


# The ADSR Envelope Chip



Application Manual v1.0



## The ADSR Envelope Chip

The ADSR is a chip that contains an ADSR envelope generator in a 8-pin DIP package.

The chip works with the JVS-01, VCDM, K5, KL5, FM1 and CZ1 chips or any other CV input accepting a 0-5 volt CV.

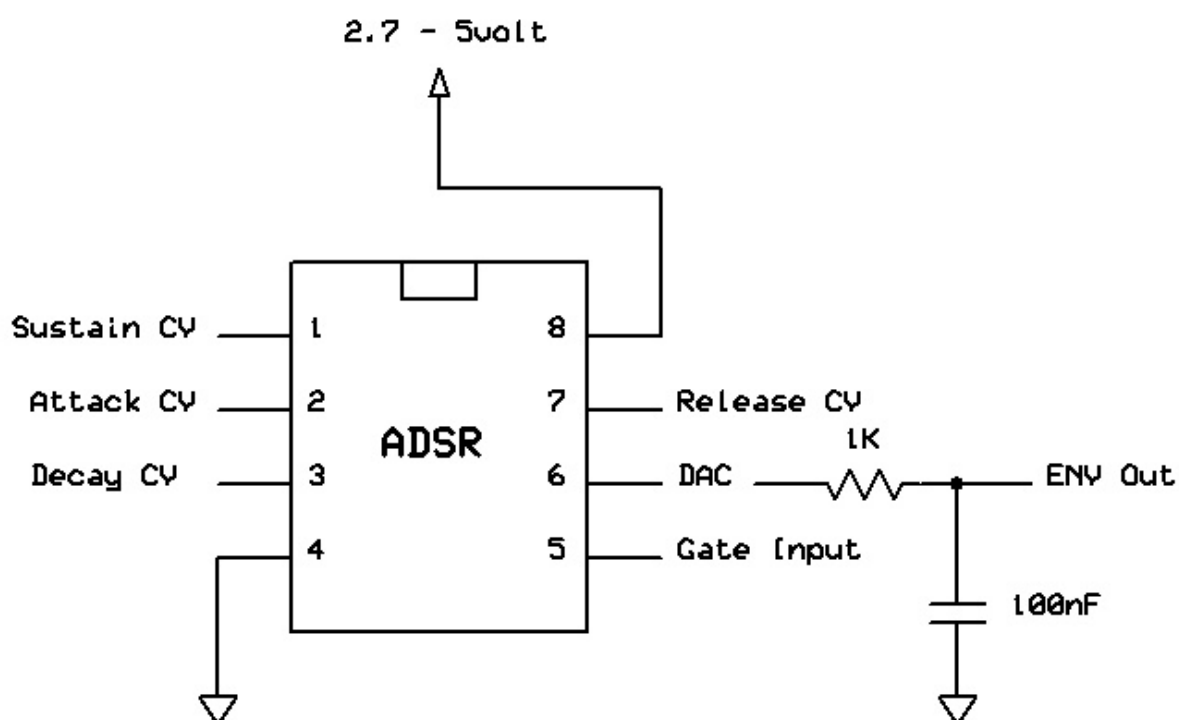
The chip has 1 standard ENV generator with a CV output for the EG curve.

It has separate CV inputs for Attack, Decay, Sustain and Release and a Gate input.

The output is 500KHz 8-bit PWM and the chip runs standalone from a 2.7 - 5 volt power source.

## Example application circuit for the ADSR chip

This is the minimum application circuit for the chip. Input levels are allowed between Gnd and Vcc. The output is analog and swings between Gnd and Vcc.



## Technical Specifications

DSP platform	AVR ATmega 20 DMIPS
Supply power	2.7 – 5 volt
Supply current	~3mA
Input tolerance	2.7 – 5 volt depending on Vcc
CV output	500 KHz 8-bit PWM DAC
Synthesis method	Attack, Decay, Sustain and Release EG
Control method	1 Gate input, 4 analog ADSR shape inputs

## Contact & Support

For support and questions please use these contact addresses:

Website: <http://www.dspsynth.eu>

Email: [contact@dspsynth.eu](mailto:contact@dspsynth.eu)