

The CNS1 Synthesizer Chip

Colored Noise Generator



Application Manual v1.0



The CNS1 Synthesizer Chip

The CNS1 is a noise generator in a 8-pin DIP.

The chip implements a pitchable LFSR, 24dB lowpass filter with resonance and VCA amplitude control.

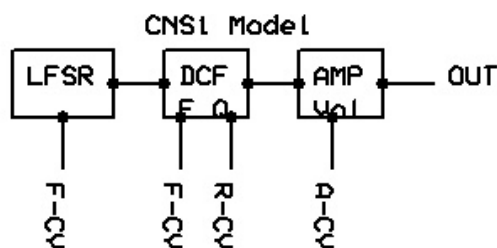
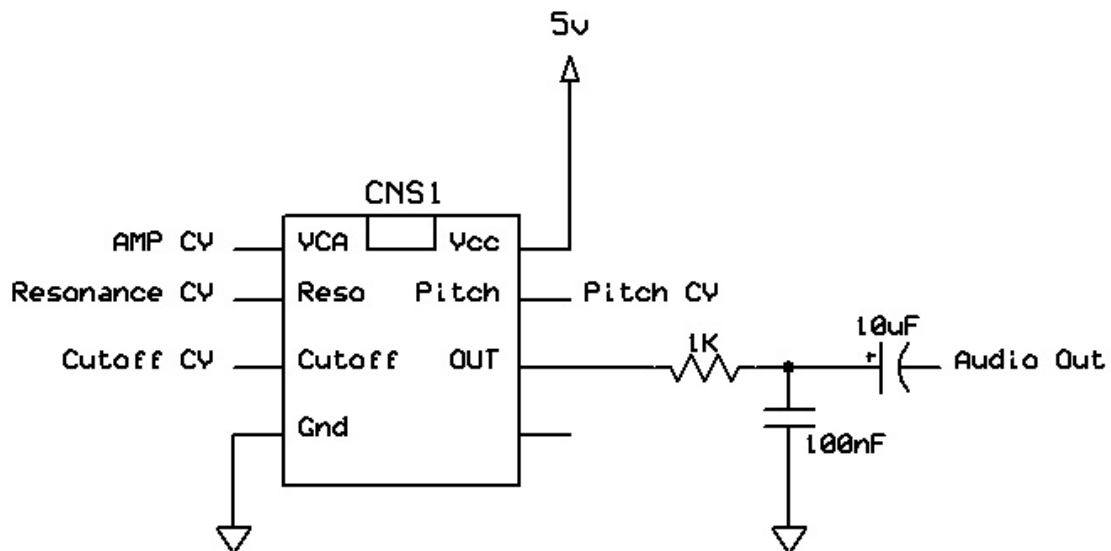
The chip can be used as a noise source in a synthesizer or for generating drum sounds.

All CV inputs handle positive 0-5 volt input.

The chip runs standalone from a 5 volt power source.

Example application circuit for the CNS1

This is the minimum application circuit for the chip. Input levels are allowed between Gnd and Vcc. The output is analog and swings between Gnd and Vcc.



Technical Specifications

DSP platform	AVR 40 DMIPS
Supply power	5 volt
Supply current	~4mA
Input tolerance	0 – 5 volt
Audio output	1 MHz 10-bit sigma-delta PDM, 66.9KHz PCM
Synthesis method	Virtual Analog Modelling
Control method	Analog CV 0-5volt

Contact & Support

For support and questions please use these contact addresses:

Website: <http://www.dspsynth.eu>

Email: contact@dspsynth.eu