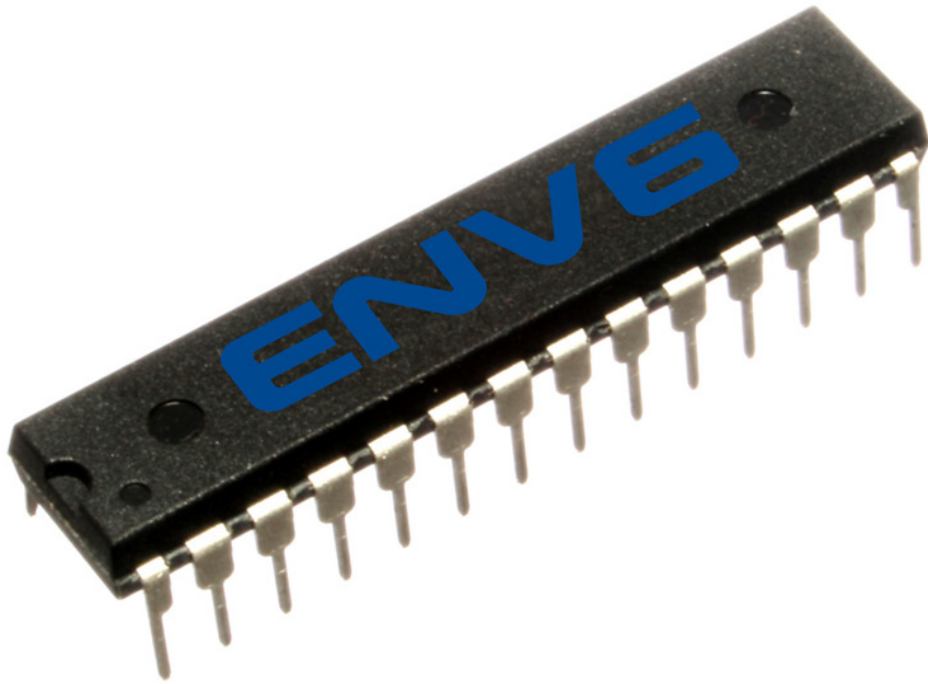


The ENV-6 Envelope Chip



Application Manual v1.0



The ENV-6 Envelope Chip

The ENV-6 is a chip that contains 6 AR envelope generators in a 28-pin DIP package.

The chip works with the VCDM, K5 and KL5 chips or any other CV input accepting a 0- 5 volt CV.

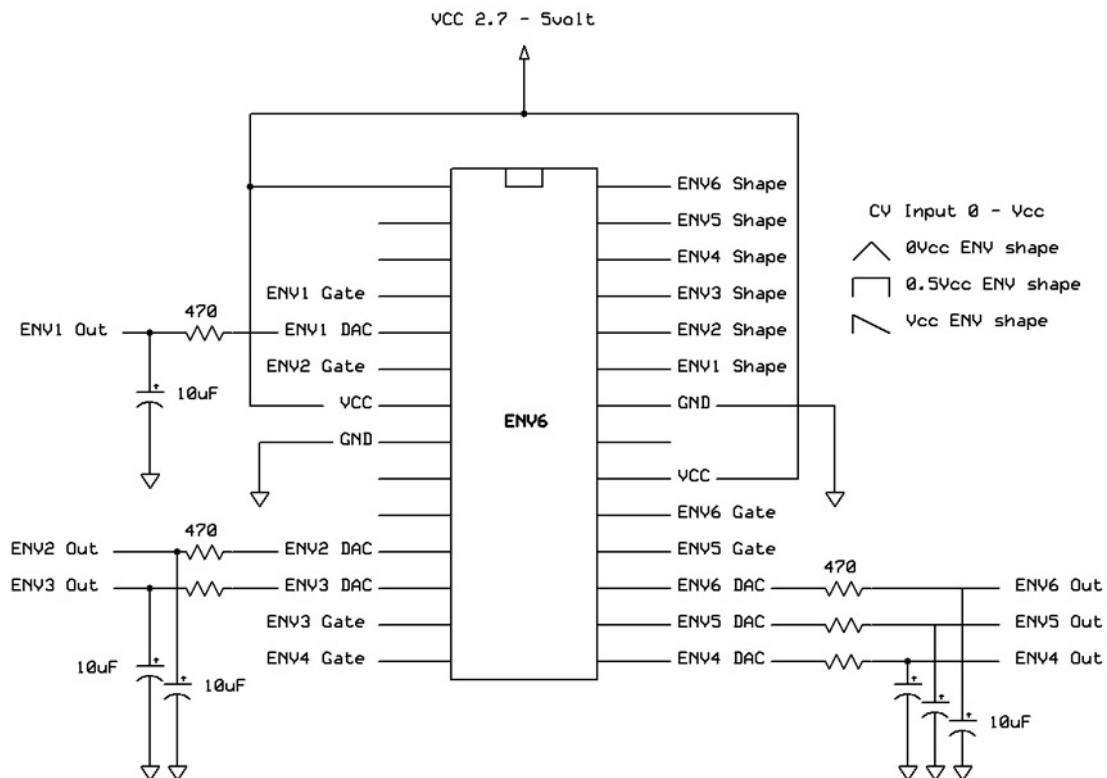
The chip has 6 separate EG generators with 6 separate CV outputs for each EG.

6 separate envelope shape inputs modulated the envelope shape with an analog control voltage. 6 separate Gate inputs.

The outputs are 60KHz 8-bit PWM and the chip runs standalone from a 2.7-5 volt power source.

Example application circuit for the ENV-6 chip

This is the minimum application circuit for the chip. Input levels are allowed between Gnd and Vcc. The output is analog and swings between Gnd and Vcc.



Technical Specifications

DSP platform	AVR ATmega 20 DMIPS
Supply power	2.7 – 5 volt
Supply current	~4.9mA
Input tolerance	2.7 – 5 volt depending on Vcc
CV output	60 KHz 8-bit PWM, 6 channel CV
Synthesis method	Attack, Release single knob EG
Control method	6 separate Gate inputs, 6 analog AR shape inputs

Contact & Support

For support and questions please use these contact addresses:

Website: <http://www.dspsynth.eu>

Email: contact@dspsynth.eu