

The JVS-01 Synthesizer Chip

Semi Analog Synthesizer Voice



Application Manual v1.0



The JVS-01 Synthesizer Chip

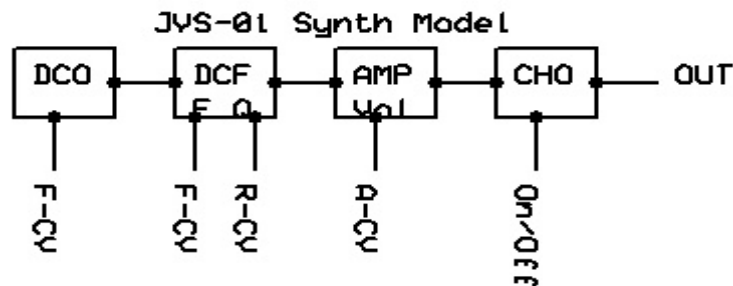
The JVS-01 is a semi-analog synthesizer voice in a 8-pin DIP.

The chip implements a Juno-style synthesizer voice with an integrator DCO, 24dB lowpass filter with resonance, VCA amplitude control and a DDL Chorus.

The chip can be used as a voice chip for an analog voltage controlled synthesizer.

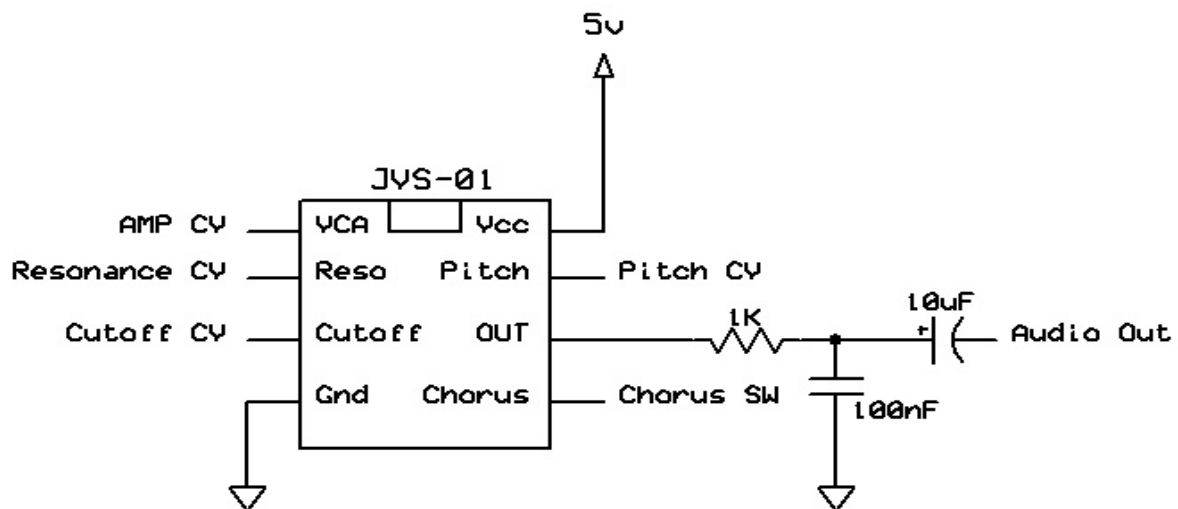
All CV inputs handle positive 0-5 volt input and the DCO pitch conforms to a 1v/Oct frequency response, 5 octaves, 61Hz – 2KHz range.

The chip runs standalone from a 5 volt power source.



Example application circuit for the JVS-01

This is the minimum application circuit for the chip. Input levels are allowed between Gnd and Vcc. The output is analog and swings between Gnd and Vcc.



Technical Specifications

DSP platform	AVR 40 DMIPS
Supply power	5 volt
Supply current	~4mA
Input tolerance	0 – 5 volt
Audio output	1 MHz 16-bit sigma-delta PDM, 66.9KHz PCM
Synthesis method	Virtual Analog Modelling
Control method	Analog CV 0-5volt

Contact & Support

For support and questions please use these contact addresses:

Website: <http://www.dspsynth.eu>

Email: contact@dspsynth.eu