

The RMX-6 Drum Synthesizer Chip

PCM Drum chip with separate outputs



Application Manual v1.0



The RMX-6 Drum Synthesizer Chip

The RMX-6 drum synthesizer is a chip that contains a PCM drumkit in a 28-pin DIP package.

The chip can be used as a voice chip for a drum machine or a drum module

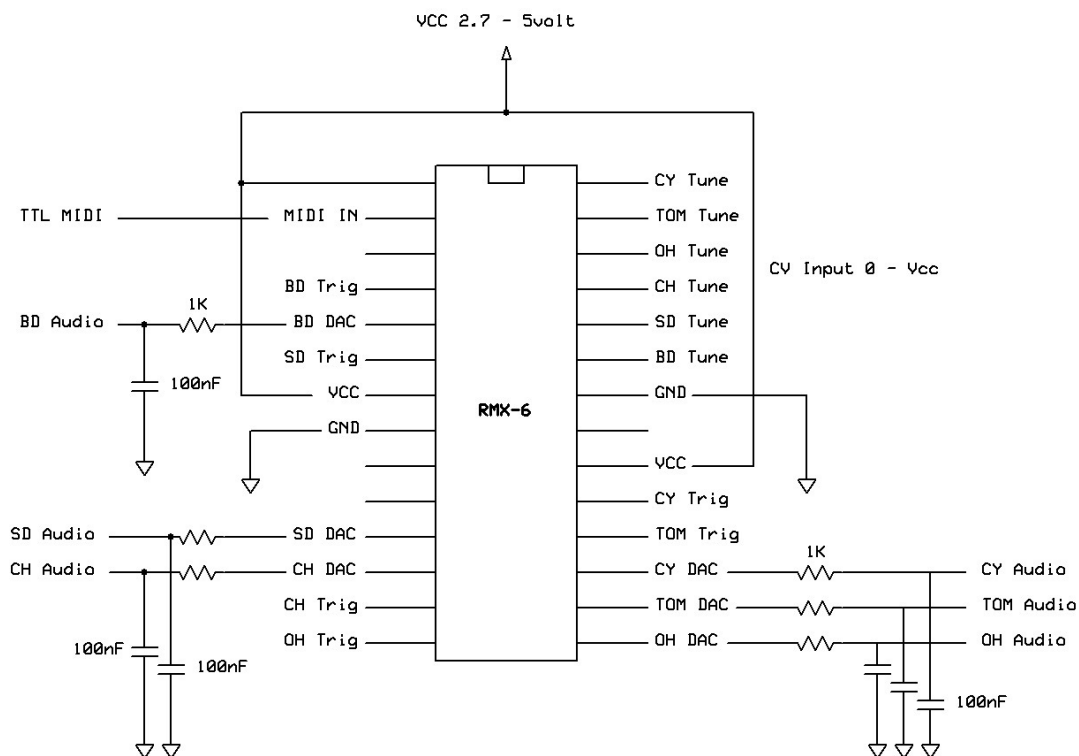
The chip is 6-voice fully polyphonic with 6 separate trig/gate inputs for each voice and 6 separate audio outputs for each drum.

6 separate tune inputs modulated the playback rate with an analog control voltage.

The outputs are 40KHz 10-bit Sigma-Delta PDM and the chip runs standalone from a 2.7-5 volt power source.

Example application circuit for the RMX-6 chip

This is the minimum application circuit for the chip. Input levels are allowed between Gnd and Vcc. The output is analog and swings between Gnd and Vcc.



Technical Specifications

DSP platform	AVR ATmega 20 DMIPS
Supply power	2.7 – 5 volt
Supply current	~4.9mA
Input tolerance	2.7 – 5 volt depending on Vcc
Audio output	40 KHz 10-bit sigma-delta PDM, 6 channel mono audio
Synthesis method	PCM Playback
Control method	6 polyphonic trig/gate inputs, 6 analog polyphonic tune

Contact & Support

For support and questions please use these contact addresses:

Website: <http://www.dspsynth.eu>

Email: contact@dspsynth.eu