

The dsp-Host 4HP Module



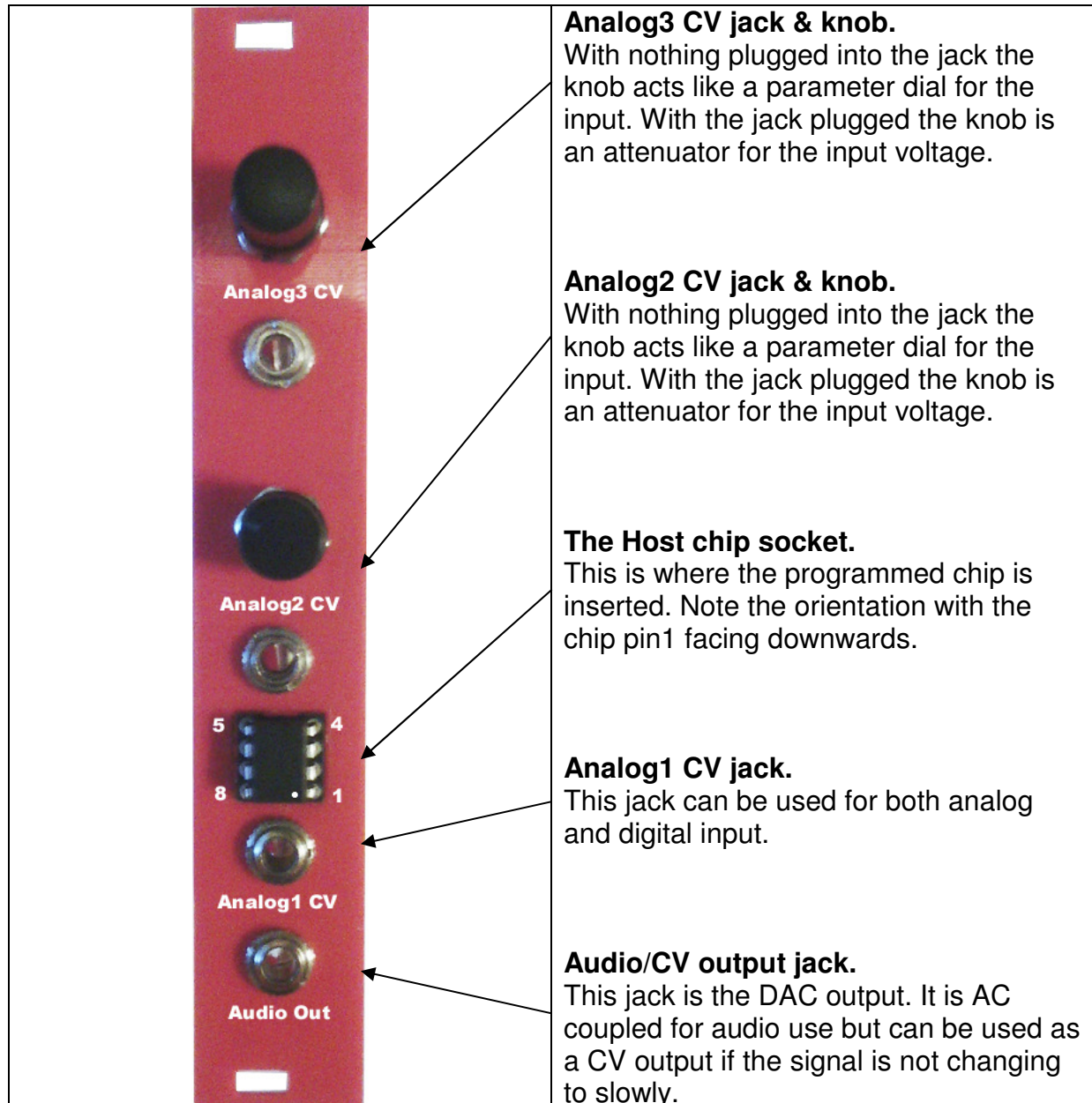
Manual v1.0



The 4HP dsp-Host Euro module

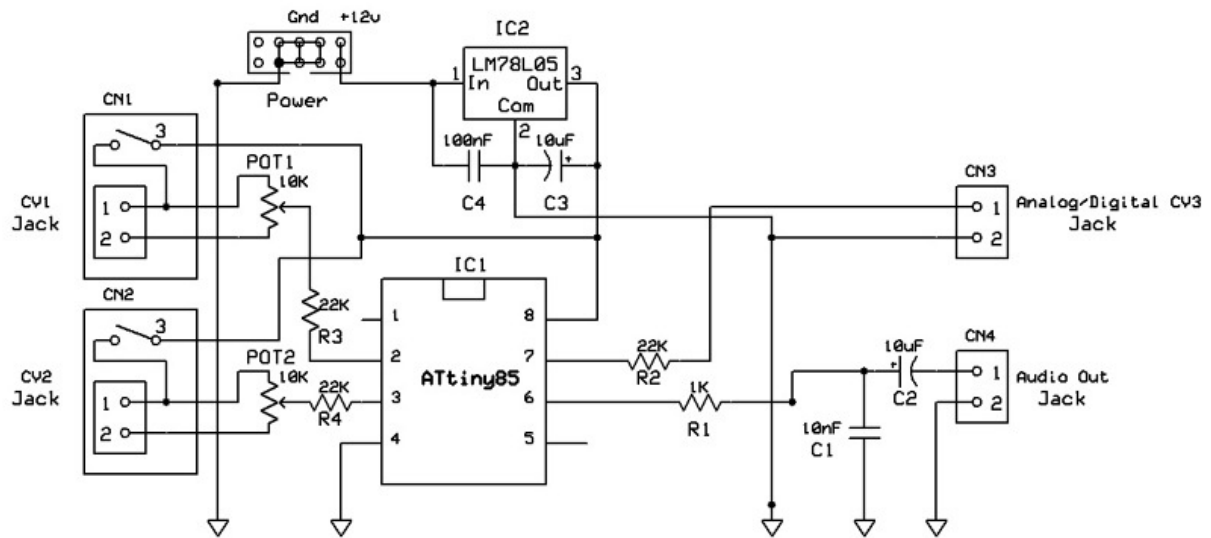
The module is a 4HP eurorack module built to host the ATtiny45/85 chip. This makes it possible to write DSP applications in the Arduino environment, program a chip and use it in the module.

The front panel



**PLEASE TAKE CARE TO INSERT THE CHIP IN THE ORIENTATION ABOVE!
IT IS IMPOSSIBLE TO PROTECT THE CHIP AGAINST REVERSE INSERTATION
AND IT WILL INSTANTLY BE DESTROYED.**

Schematics



Technical Specifications

| | |
|------------------|---|
| DSP platform | AVR ATmega 20 DMIPS |
| Supply power | Eurobus +12 volt |
| Supply current | ~5mA |
| Audio output | 40 KHz 10-bit sigma-delta PDM, 1 channel mono audio |
| Synthesis method | DSP PCM Synthesis |
| Control method | 3 Analog CV inputs of which one can be digital |

Contact & Support

For support and questions please use these contact addresses:

Website: <http://www.dspsynth.eu>

Email: contact@dspsynth.eu