

μMIDI2CV_{LITE} CABLE



Manual v1.0



OVERVIEW

DSP Synthesizers uMIDI2CVlite Cable is a USB-MIDI to CV interface that enables you to control a modular or analog synth from a computer or smartphone/tablet equipped with a USB port. It is class-compliant and does not require any driver. It features Volt/octave and drum-trigger conversion.

- The uMIDI2CVlite Cable is a **USB device** not a **USB host**! It can be connected to devices such as smartphones, tablets, laptop or desktop computers, but not to USB MIDI controllers.
- The CV output is for Volt/octave in the 0 to 5V range. Note range is C2 - C7
- The Gate output uses V-trig with 0/5V.

OPERATING MODES

The uMIDI2CVlite Cable interprets MIDI messages differently depending on the MIDI channel on which they are received. For example, when receiving messages on MIDI channel 1, it uses the Volt/octave and outputs a CV/Gate pair. When receiving messages on MIDI channel 10, it outputs a trigger for 2 drum instruments.

Channel 1: Monophonic Volt/octave mode

This mode is enabled when any MIDI message is received on channel 1. The USB-MIDI2CVlite Cable behaves like a classic monophonic Volt/octave - Gate converter using most recent note priority.

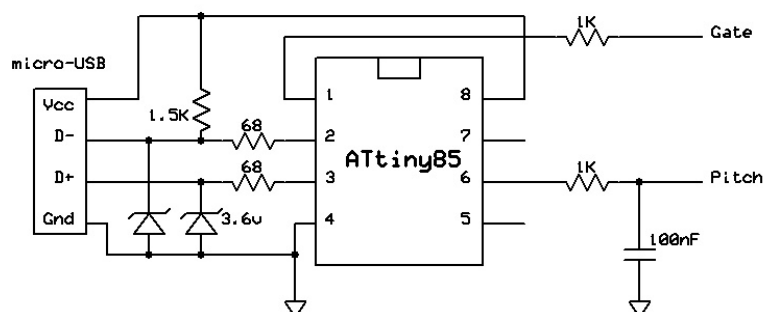
- PITCH: 1volt/octave Note CV
- GATE: Gate on/off

Channel 10: Drums

This mode is enabled when a MIDI message is received on channel 10. PITCH and GATE are triggered by the MIDI notes 36 and 38.

- PITCH: note 36 trigger output 0/5volt
- GATE: note 38 trigger output 0/5volt

Hardware schematics



V-USB Open-Source Disclaimer

The interface is based on an ATtiny85 MCU programmed with V-USB firmware that makes it able to handle USB communication without any USB controller.

The V-USB library can be found here: <https://www.obdev.at/products/vusb/index.html>



Virtual USB port for
AVR® microcontrollers

Contact & Support

For support and questions please use these contact addresses:

Website: <http://www.dspsynth.eu>

Email: contact@dspsynth.eu